

Operator's Manual

RDO[®] Titan Titanium Optical Dissolved Oxygen Probe



Copyright © 2011-2015 by In-Situ All rights reserved.

This document contains proprietary information which is protected by copyright. No part of this document may be photocopied, reproduced, or translated to another language without the prior written consent of In-Situ

In-Situ makes no warranty of any kind with regard to this material, including, but not limited to, its fitness for a particular application. In-Situ will not be liable for errors contained herein or for incidental or consequential damages in connection with the furnishing, performance, or use of this material.

In no event shall In-Situ Inc. be liable for any claim for direct, incidental, or consequential damages arising out of, or in connection with, the sale, manufacture, delivery, or use of any product.

In-Situ and the In-Situ logo, Win-Situ, TROLL, Baro Merge, BaroTROLL, HERMIT, iSitu, Pocket-Situ, RDO, RuggedCable, RuggedReader, TROLL, and Win-Situ are trademarks or registered trademarks of In-Situ Inc. Microsoft and Windows are registered trademarks of Microsoft Corporation. Pentium is a registered trademark of Intel. Tefzel and Delrin are registered trademarks of E. I. DuPont de Nemours and Company. Viton is a registered trademark of DuPont Dow Elastomers. Kellems is a registered trademark of Hubbell Inc. Alconox is a registered trademark of Alconox Company. Lime-A-Way is a registered trademark of Reckitt Benckiser. iPod and iPhone are trademarks of Apple Inc., registered in the U.S. and other countries. The Bluetooth word mark and logos are registered trademarks owned by the Bluetooth SIG, Inc. and any use of such marks by In-Situ Inc. is under license. NIST is a registered trademark of the National Institute of Standards and Technology, U.S.A. Other brand names and trademarks are property of their respective owners.



The presence of the Waste Electrical and Electronic Equipment (WEEE) marking on the product indicates that the device is not to be disposed via the municipal waste collection system of any member state of the European Union.

For products under the requirement of WEEE directive, please contact your distributor for the proper decontamination information and take back program, which will facilitate the proper collection, treatment, recovery, recycling, and safe disposal of the device.

Table of Contents

1	Optical RDO Titan Dissolved Oxygen Probe Specifications	5
2	Introduction	6
	System Description	6
	Serial Numbers	6
	Install the Sensor Cap	6
3	Connect the Cable to the Probe	8
4	Calibrate the RDO Titan Probe	8
	1-Point Calibration	8
	Water-Saturated Air Calibration	8
	2-Point Calibration	10
	100% and 0% Saturation	10
5	Care and Maintenance	11
	Clean the RDO Classic Sensor Cap	11
	Clean the Optical Window	11
	Clean the Probe	11
	RDO Classic Sensor Cap Storage	11
	Replace the RDO Classic Sensor Cap	11
	Maintain Desiccant	12
6	Controller Requirements and Connections	13
	Wiring Overview	13
	Modbus Master with Built-in RS485	14
	Modbus Master with Built-in RS232 (Converter Required)	15
	Converter	16
7	Modbus Registers	17
	Common Registers	17
	Sensor Status Registers	17
	Device Specific Register 0042 Data Quality ID	17
	Device Specific Registers	18
8	Dissolved Oxygen Equations	19
	Dissolved Oxygen Concentration	19
	Dissolved Oxygen, % Saturation	20
9	Calibration Registers	21
	Live Salinity Value	21
	Default Salinity Value	21

Live Barometric Pressure	21
Default Barometric Pressure	21
100% Saturation Calibration Values	21
0% Saturation Calibration Values	22
Calibration Slope and Offset	22
Entering Calibration Registers	22
Calibration Calculations	23
10 Service	24
Sensor Health Table	24
11 Appendix A - Communication Device	26
Install and Open the Software	26
Connect the Probe to the Communication Device	26
12 Declaration of Similarity	27

Optical RDO Titan Dissolved Oxygen Probe Specifications

Optical RDO Titan Dissolved Oxygen Probe	
Sensor Type	Optical (luminescent) dissolved oxygen sensor using RDO Classic Sensor Cap
RDO Titan Probe	Range: 0 to 50 mg/L concentration
	Accuracy: ± 0.1 mg/L, 0 to 8 mg/L ± 0.2 mg/L, 8 to 20 mg/L $\pm 10\%$ of reading, 20 to 50 mg/L
	Resolution: 0.01 mg/L
	Response time: T90 < 45 sec; T95 < 60 sec @ 25°C
	Storage conditions: -5° to 60° C (23° to 140° F)
RDO Classic Sensor Cap	Usage life: 1 year typical from the first instrument reading (15 months total usage)
	Shelf life: 36 months from date of manufacture
	Storage conditions: 1° to 60° C (33° to 140° F), in factory container
Temperature sensor	Range: 0° to 50° C (32° to 122° F)
	Accuracy: ± 0.1 ° C typical
	Resolution: 0.01° C
Transmitter/local display	Optional, sold separately
Communications options	Modbus/RS485, RS232 with converter
Max. power consumption	50 mA at 12 VDC
Measure current	6 mA typical at 24 VDC
Idle current (no measurement or communication)	160 μ A typical at 24 VDC
Maximum cable length	Up to 1219 m (4000 ft)
Cable options	Custom length stripped-and-tinned
IP rating	IP-67 with cap off, IP-68 with cap installed
Compliance	Heavy industrial, IEC 61000-6-2:2005
Salinity compensation	Fixed or real-time capable (using controller)
Barometric pressure	Fixed or real-time capable (using controller)
Maximum pressure	150 psi from 0 to 50° C; 300 psi @ 25° C
Warranty	Probe: 3 years from date of shipment
Methods	Standard Methods 4500-O; In-Situ Methods 1002-8-2009, 1003-8-2009, 1004-8-2009 (EPA approved)

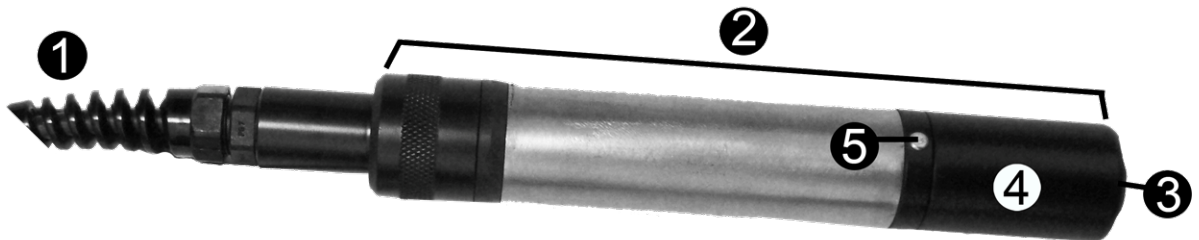
Introduction

The RDO Titan is an optical dissolved oxygen probe designed to deliver accurate dissolved oxygen (DO) data across a wide measurement range. The probe features a titanium body, removable cable, and internally stored calibration.

System Description

The RDO Titan system consists of the following items.

1. Cable (customizable length) with stripped-and-tinned wires on one end and a direct connector on the probe end. Dome connection and strain-relief cable options are available. The strain-relief cable is shown (must be ordered separately).
2. Probe
3. RDO Classic Sensor Cap
4. Removable nose cone
5. Titanium thermistor

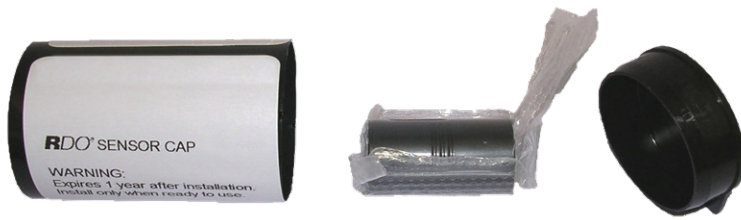


Serial Numbers

The probe serial number is engraved on the side of the unit. The cap serial number is programmed on the memory chip inside the cap.

Install the Sensor Cap

1. Remove the RDO Classic Sensor Cap from the box and other packaging materials.
2. Unscrew the nose cone from the probe and remove the red protective dust cap. Save the dust cap for later use.
3. Remove the RDO cap from the storage sleeve.



4. Align the flat side of the RDO cap with the electrical contacts on the sensor.



Do not allow moisture or atmospheric humidity inside the cap. Keep the cap in its sealed package until you are ready to install it. Install promptly. Ensure that O-ring grooves are dry and the O-rings are not rolled or pinched inside the cap.

The cap lifetime is 15 months after the first reading has been taken. The cap has a total shelf life of 36 months.

5. Reattach the nose cone.



Connect the Cable to the Probe

Cables are available with stripped-and-tinned wires on one end and a direct connector on the probe end. Both dome-connection and strain-relief cable options are available.



1. Retract the cover on the threaded connector.
2. Align the electrical connections on the cable and the probe.



3. Twist the threaded connector until the cable is securely attached to the probe.

Calibrate the RDO Titan Probe

Calibrate the sensor with the Comm Kit Software and the RDO PRO Communication Device, or calibrate the sensor directly with your controller.

1-Point Calibration

Water-Saturated Air Calibration

1. Remove the base cap from the calibration chamber and place a sponge wafer inside the cap.



2. Saturate the sponge wafer with 5 mL of water and attach the base cap to the calibration chamber.



3. Gently dry the probe, sensing element, and thermistor with a paper towel. Ensure that no water or debris is on the probe or sensing element.
4. Place the probe in the calibration chamber so that the sensor surface is about 2.5 cm (1 in.) above the sponge.



Ensure that no water droplets are on the sensing element or the thermistor when you perform the calibration. Condensation on the sensor or thermistor may result in lengthy calibration and sensor drift.



5. Wait 5 to 10 minutes for temperature stabilization prior to calibration. Do not leave the probe in the calibration cup for more than 30 minutes. This can allow condensation to form on the surface of the sensing element, which may result in false low readings after calibration. If condensation does occur, remove the probe. Thoroughly dry the sensing element, the probe, and the thermistor before you perform the calibration procedure.
6. If you use a PLC or controller to calibrate, refer to your controller manual. To use the Communication Device to calibrate the instrument, refer to Appendix A.

2-Point Calibration

100% and 0% Saturation

1. Set up the calibration procedure as previously described, and perform a water-saturated air calibration.
2. Remove the water-saturated sponge from the calibration chamber and fill the chamber to the fill line with approximately 10 mL of fresh sodium sulfite solution.
3. Place the instrument into the solution. Leave at least 13 mm (0.5 in.) between the surface of the sensing material and the bottom of the chamber.
4. Ensure that the temperature sensor is completely submerged in the solution.
5. Allow at least 5 minutes for the temperature to stabilize prior to performing the calibration procedure.
6. Once calibration is complete, remove the sensor, and thoroughly rinse to remove all of the sodium sulfite.

Care and Maintenance

Clean the RDO Classic Sensor Cap

1. The cap and nose cone must remain on the probe.
2. Rinse the sensor with clean water from a squirt bottle or spray bottle.
3. Gently wipe with a soft-bristled brush or soft cloth if biofouling is present. Use Alconox to remove grease.
4. If extensive fouling or mineral build-up is present, soak the cap end in vinegar for 15 minutes, then soak in deionized (DI) water for 15 minutes.



Do not use organic solvents—they will damage the sensing element. Do not remove the cap from the sensor prior to cleaning.

5. After cleaning, perform a 1- or 2-point user calibration or calibration check.

Clean the Optical Window

1. Clean the optical window only when you change the cap. See full instructions in the sensor cap replacement kit.
2. Remove the cap and gently wipe the lens with the supplied lens cloth.



Do not wet the lens area with water or any solution. Use only the supplied lens cloth for cleaning. Do not use any other cloth or material.

Clean the Probe

With the RDO cap installed on probe, gently scrub the probe with a soft-bristled brush or nylon dish scrubber. Use Alconox to remove grease or other matter. Soak in vinegar and DI water to remove mineral deposits or extensive fouling.

RDO Classic Sensor Cap Storage

Prior to installation—Store in factory supplied container.

Installed—Store in the calibration chamber with the storage cap attached and a few drops of clean water.

Replace the RDO Classic Sensor Cap

The RDO cap has a 1-year typical life (and 15 months of total usage) after the sensor takes its first reading.

-
1. Remove the probe nose cone.
 2. Use a lint-free cloth to remove any moisture from the probe.
 3. Pull the used RDO cap off of the sensor, without twisting.
 4. Remove the existing O-rings from the sensor.



Ensure that there is no moisture in the O-ring grooves. Do not touch or clean the lens with anything other than the supplied lens wipe.

5. Use your finger to apply a very light layer of silicone-based lubricant around the O-ring grooves.
6. Place the O-rings on the sensor. Apply another thin layer of lubricant to the O-rings and grooves.



Note: Do not transfer grease to the lens or sensor pins.

7. Clean the sensor lens with the wipe provided in the kit and allow it to thoroughly dry. Inspect for scratches or dirt.
8. Remove the new cap from its sealed packaging and attach it to the sensor, being careful to press firmly, without twisting, until it seals over the lens. Make sure that the O-rings are not pinched or rolled between the cap and sensor.
9. Replace the nose cone.
10. Perform a 1- or 2-point calibration.

Maintain Desiccant

Desiccant installed in a controller or transceiver protects probe electronics from condensation. A desiccant pack changes color from blue to pink as it becomes saturated with moisture.



It is extremely important to use the proper size desiccant for your deployment and to change desiccant often. Desiccant should be changed before the entire pack has turned pink, and you should use enough to effectively keep cables and probes dry until your next scheduled maintenance. Desiccant lifespan is dependent on site conditions.

Controller Requirements and Connections

The RDO Titan can be connected to a controller or logger for communication via the following protocols.

- RS485 Modbus
- RS232 to Modbus with an adapter

Wiring Overview

Refer to diagrams on the following pages. Trim and insulate unused wires. The shielded wire should be connected to a chassis ground or earth ground.

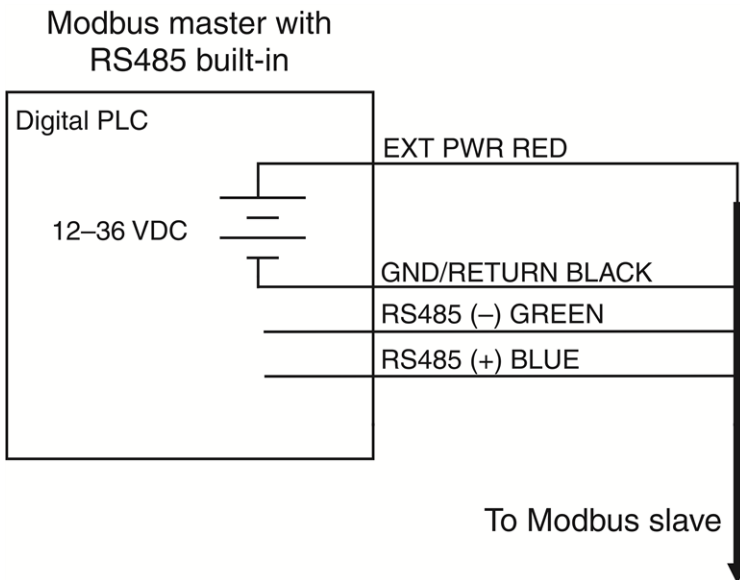
Signal	Color
Ground/Return	Black
External Power	Red
RS485 (-)	Green
RS485 (+)	Blue



The inside of the controller must be kept free of moisture and humidity. Condensed moisture can migrate through the wiring and cause the probe to fail. Therefore, desiccant should be installed in the controller and be replaced on a regular basis.

Modbus Master with Built-in RS485

Signal	Color
Ground/Return	Black
External Power (12-36 VDC)	Red
RS485 (-)	Green
RS485 (+)	Blue

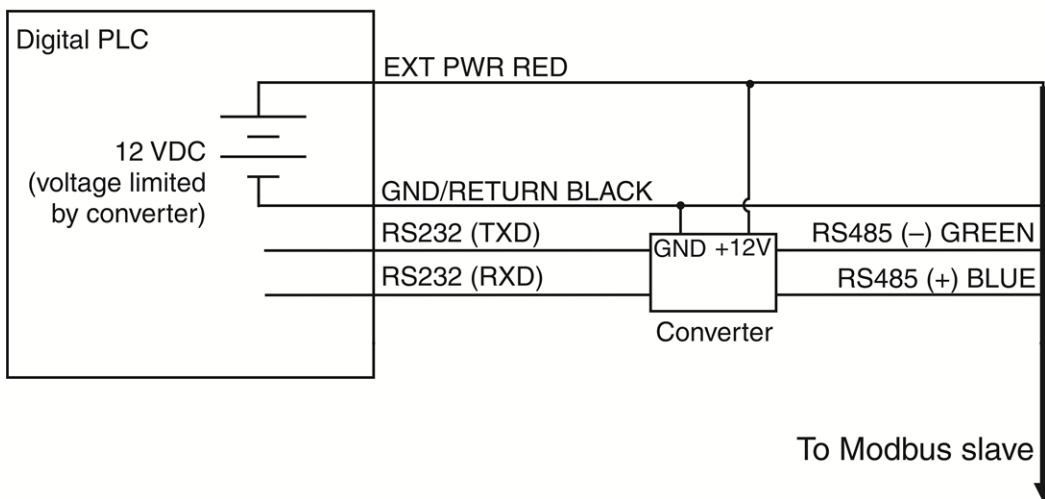


Cable length must not exceed 1219 m (4000 ft.)

Modbus Master with Built-in RS232 (Converter Required)

Signal	Color
Ground/Return	Black
External Power (12 VDC, voltage limited by converter)	Red
RS485 (-)	Green
RS485 (+)	Blue

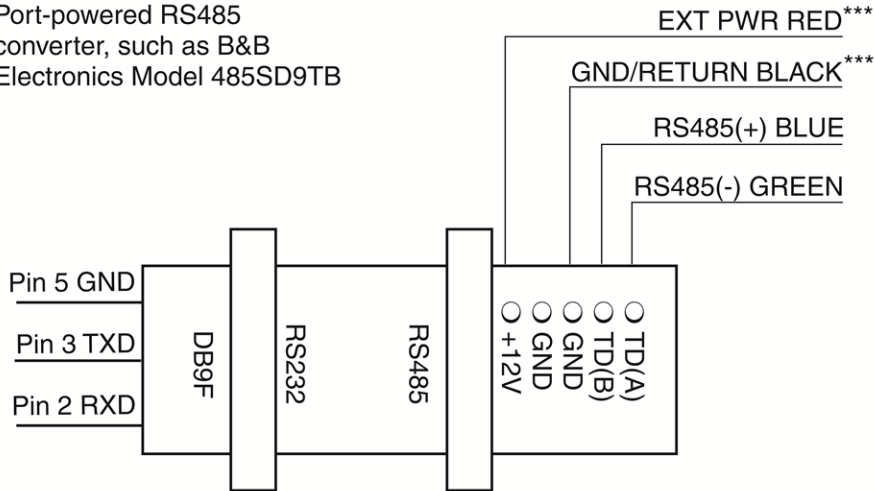
Modbus master with
RS232 built-in
(converter required)



Cable between converter and master must not exceed 60.96 m (20 ft.)
Cable between master and slave must not exceed 1219 m (4000 ft.)

Converter

Port-powered RS485
converter, such as B&B
Electronics Model 485SD9TB



*** Required if port power is not available

Modbus Registers

Common Registers

Register	Size	Mode & Access Level (R/W)	Data Type	Description
9001	1	R/W	ushort	Device ID = 19 for RDO Titan
9002	2	R/W	ulong	Device serial number
9004	3	R/W	time	Manufacture date

Sensor Status Registers

Register	Size	Mode & Access Level (R/W)	Data Type	Description
0005	3	R1	time	Cap start date/time 0 = no cap
0008	3	R1	time	Cap end of usable life date/time 0 = no cap

Device Specific Register 0042 Data Quality ID

Register 0042 is responsible for returning the various data quality IDs for the RDO sensor. For a list of the Data Quality IDs and definitions, see the Sensor Health Table in the Service and Troubleshooting section of this manual.

Device Specific Registers

Register	Size	Mode & Access Level (R/W)	Data Type	Description
Dissolved Oxygen Concentration				
0038	2	R1	float	Measured value, C _o
0040	1	R1	ushort	Parameter ID = 20
0041	1	R1/W2	ushort	Units ID 117 = mg/L (default) 118 = ug/L
0042	1	R1	ushort	Data quality ID (See the Sensor Health Table)
0043	2	R1/W3	float	Offline sentinel value (default = 0.0)
0045	1	R1	16 bits	Available units = 0x0030 (48)
Temperature				
0046	2	R1	float	Measured value
0048	1	R1	ushort	Parameter ID = 1
0049	1	R1/W2	ushort	Units ID 1= °C (default) 2= °F
0050	1	R1	ushort	Data quality ID
0051	2	R1/W3	float	Offline sentinel value (default = 0.0)
0053	1	R1	16 bits	Available units = 0x00030 (3)
Dissolved Oxygen % Saturation				
0054	2	R1	float	Measured value
0056	1	R1/W2	ushort	Parameter ID = 21
0057	1	R1/W2	ushort	Units ID 177 = percent saturation (default)
0058	1	R1	ushort	Data quality ID
0059	2	R1/W3	float	Offline sentinel value (default = 0.0)
0061	1	R1	16 bits	Available units = 0x0001 (1)
Oxygen Partial Pressure				
0062	2	R1	float	Measured value
0064	1	R1	ushort	Parameter ID = 2 (pressure)
0065	1	R1/W2	ushort	Units ID 26 = torr (default)
0066	1	R1	ushort	Data quality ID
0067	2	R1/W3	float	Offline sentinel value (default = 0.0)
0069	1	R1	16 bits	Available Units = 0x0200 (512)

Dissolved Oxygen Equations

Dissolved Oxygen Concentration

DO concentration is internally calculated in mg/L. Conversion to other units is as follows:

$$\mu\text{g/L} = 1000 * \text{mg/L}$$

Oxygen concentration C_o (mg/L) is calculated as:

$$C_o = 31.9988 \times 1E6 \times (\rho P_o / k_o M) (1 - \Theta_o) \times S_c$$

Where:

P_o is the partial pressure of O_2 in atmospheres.

$$P_{\text{torr}} = 759.999876 \times P_{\text{atm}}$$

S_c is the salinity correction:

$$\ln S_c = S(B_0 + B_1 T_s + B_2 T_s^2 + B_3 T_s^3) + C_0 S^2$$

$$B_0 = -6.246090 \times 10^{-3}$$

$$B_1 = -7.423444 \times 10^{-3}$$

$$B_2 = -1.048635 \times 10^{-2}$$

$$B_3 = -7.987907 \times 10^{-3}$$

$$C_0 = -4.679983 \times 10^{-7}$$

T_s is the scaled temperature:

$$T_s = \ln [(298.15 - t) / (273.15 + t)]$$

t is temperature in degrees C.

S is the salinity in PSU.

k_o is Henry's constant:

$$\ln k_o = 3.71814 + (5596.17/T) - (1,049,668/T^2)$$

T is temperature in Kelvin.

Θ_o is the negative of the second pressure coefficient:

$$\Theta_o = 0.000975 - (1.426 \times 10^{-5}t) + (6.436 \times 10^{-8}t^2)$$

t is temperature in degrees C.

ρ is the density of water in g/cm^3 :

$$\ln \rho = -0.589581 + (326.785/T) - (45,284.1/T^2)$$

T is the temperature in Kelvin.

Molar mass of water: $M = 18.0152 \text{ g/mole}$

References:

Benson and Krause, Jr., 1980. The concentration and isotopic fractionation of gases dissolved in freshwater in equilibrium with the atmosphere. *Limnol, Oceanogr*, 25(4), 662-671.

Gordon and Garcia. 1992. Oxygen Solubility in Seawater: Better Fitting Equations. *Limnol, Oceanogr*, 37(6), 1307-1312.

Dissolved Oxygen, % Saturation

$$O_2\%Sat = O_2Reading / O_2100\%Sat$$

Where:

O₂ reading is the mg/L reading from the RDO Sensor.

O₂ 100% Sat is the theoretical saturation value in mg/L and is derived as:

$$O_2100\%Sat = 31.9988 \times 10^6 \times \rho \frac{[0.20946 \times (P - P_{wv})] \times (1 - \Theta_o P) \times S_c}{k_o M}$$

Where:

$k_o M$

ρ is the density of water in g/cm³:

$$\ln \rho = -0.589581 + (326.785/T) - (45,284.1/T^2)$$

T is the temperature in Kelvin.

P is the atmospheric pressure in atm.

P_{wv} is the partial pressure of water vapor at saturation in atm:

$$\ln P_{wv} = 11.8571 - (3,840.70/T) - (216,961/T^2)$$

k_o is Henry's constant:

$$\ln k_o = 3.71814 + (5596.17/T) - (1,049,668/T^2)$$

T is the temperature in Kelvin.

Molar mass of water: M = 18.0152 g/mole

Θ_o is the negative of the second pressure coefficient:

$$\Theta_o = 0.000975 - (1.426 \times 10^{-5}t) + (6.436 \times 10^{-8}t^2)$$

t is temperature in degrees C.

S_c is the salinity correction:

$$\ln S_c = S(B_0 + B_1T_s + B_2T_s^2 + B_3T_s^3) + C_0S^2$$

$$B_0 = -6.246090 \times 10^{-3}$$

$$B_1 = -7.423444 \times 10^{-3}$$

$$B_2 = -1.048635 \times 10^{-2}$$

$$B_3 = -7.987907 \times 10^{-3}$$

$$C_0 = -4.679983 \times 10^{-7}$$

T_s is the scaled temperature:

$$T_s = \ln [(298.15 - t) / (273.15 + t)]$$

Where t is temperature in °C

S is the salinity in PSU

References:

Benson and Krause. Jr.. 1980. The concentration and isotopic fractionation of gases dissolved in freshwater in equilibrium with the atmosphere. *Limnol, Oceanogr*, 25(4), 662-671.

Calibration Registers

Register	Size	Mode & Access Level (R/W)	Data Type	Description
0118	2	R1/W3	float	Live salinity value (PSU)
0120	2	R1/W3	float	Default salinity value (PSU, default = 0.0)
0122	2	R1/W3	float	Live barometric pressure (mbar)
0124	2	R1/W3	float	Default barometric pressure (mbar, default = 1013.25)
0126	2	R1/W3	float	100% saturation calibration reading (mg/L)
0128	2	R1/W3	float	100% saturation temperature reading (°C)
0130	2	R1/W3	float	100% saturation salinity value (PSU)
0132	2	R1/W3	float	100% saturation barometric pressure (mbar)
0134	2	R1/W3	float	0% saturation calibration reading (mg/L)
0136	2	R1/W3	float	0% saturation temperature reading (°C)
0138	2	R1/W3	float	Calibration slope (default = 1.0)
0140	2	R1/W3	float	Calibration offset (default = 0.0)

Live Salinity Value

The live salinity value is used to correct the oxygen concentration value for salinity. Values must be written in Practical Salinity Units (PSU) in the range 0 to 42 PSU. This is not a measured parameter.

Default Salinity Value

The default salinity value is loaded into the live salinity value register when power is first applied to the probe. The default salinity value is used in calculations until a live salinity value is written. This is not a measured parameter.

Live Barometric Pressure

The live barometric pressure is used in the calculation of percent saturation and to determine the theoretical saturation point during calibration. Values must be written in millibars in the range 506.625 to 1114.675 mbar. This is not a measured parameter.

Default Barometric Pressure

The default barometric pressure is loaded into the live barometric pressure register when power is applied to the probe. The default barometric pressure is used in calculations until a live barometric pressure is written. This is not a measured parameter.

100% Saturation Calibration Values

These values represent the sensor conditions while the probe is in a 100% saturation calibration environment. These are not measured values, they are written by the

controller during the calibration process.

Writes to these registers are only accepted if the probe is in the calibration mode. The probe will return exception 0x85 (invalid device command sequence) if an attempt is made to write these registers when the calibration mode is off.

0% Saturation Calibration Values

These values represent the sensor conditions while the probe is in a 0% saturation calibration environment. These are not measured values, they are written by the controller during the calibration process.

Writes to these registers are only accepted if the probe is in the calibration mode. The probe will return exception 0x85 (invalid device command sequence) if an attempt is made to write these registers when the calibration mode is off.

Calibration Slope and Offset

These values represent the slope and offset that will be applied to the raw concentration reading from the sensor to generate the final values reported by the sensor parameters. These registers may be written independently of the normal internal calibration procedure.

Entering Calibration Registers

The sensor is calibrated using the following procedure.

1. Optional: Read the Sensor Data Cache Timeout register 9463 and store the value.
2. Write the Sensor Data Cache Timeout register 9463 to a value less than your intended sample rate and greater than 1000 milliseconds. This will ensure that you get new sensor readings during the stabilization process.
3. Optional: Read the temperature units register 0049 and saturation units register 0041 and store their values.
4. Write the temperature units register 0049 to its default value (1) and write the saturation units register 0041 to its default value (117).
5. Write the Calibration Mode On command (0xE000) to the sensor command register 9305.
6. Update the live salinity and barometric pressure registers if necessary.
7. Prompt the user to place the probe in a 100% saturation environment.
8. Read the oxygen concentration and temperature parameters. When these values have reached equilibrium, record them in their respective 100% saturation calibration registers. Write the current live salinity and barometric pressure readings to their respective calibration registers.

-
9. Place the sensor in a 0% saturation environment. When these registers have reached equilibrium, record them in their respective 0% saturation calibration registers. If a zero calibration is not to be performed, these registers can be set to zero or left at their previous values.
 10. Write the Calibration Update command (0xE001) to the sensor command register. The sensor will calculate a new slope and offset, write the current time to the last user calibration time register, and set the next user calibration time register to zero (disabled). If the concentrations at 100% and 0% saturation are equal, the probe will return an exception response with code 0x97 (invalid calibration) and not attempt to compute a new slope and offset due to possible division by zero. If the slope does not calculate between 0.85 and 1.20 inclusive, or if the offset does not calculate between -0.2 and +0.2 inclusive, then the probe will return an exception response with code 0x97 (invalid calibration). The slope and offset will be available for read but will not be committed to flash.
 11. Optional: Read the last user calibration time register, add the next calibration interval, and write the result to the next user calibration time register.
 12. Write the Calibration Mode Off command (0xE002) to the sensor command register to place the sensor in normal operation. If the calibration mode is turned off without a calibration update command, or the calibration command returned an exception, the previous calibration shall be restored.
 13. Optional: If you saved the temperature and saturation parameter units at the start of the process, write the original values back.
 14. Optional: If you saved the Sensor Data Cache Timeout register 9463 at the start of the process, write the original value back.

Calibration Calculations

Calibrated oxygen reading:

$$O_{2RC} = C_0 + C_1 \times O_{2RU}$$

Where:

$$C_1 = \frac{(O_{2100\%Sat})}{(O_{2RUS} - O_{2RUZ})}$$

$$C_0 = -C_1 \times O_{2RUZ}$$

Where:

$O_{2100\%Sat}$ is the theoretical 100% saturation point

O_{2RUS} is the un-calibrated reading at 100% saturation

O_{2RUZ} is the un-calibrated reading at 0% saturation

References:

Standard Methods for the Examination of Water and Wastewater. 20th Ed. 2008. 4500-0 C. Azide Modification. American Public Health Association, USA.

Service

The RDO Titan Probe contains no user-serviceable parts. Do not attempt to open the probe case or service the unit yourself.

RDO Classic Software Troubleshooting



Sensor health diagnostics indicate when the RDO sensor has been damaged in the field. If the sensor has sustained moderate damage, the probe provides a DO value that includes a (DIS or Data Quality ID 5) warning.

However, if the sensor has been severely damaged, an error message is shown (ERR or Data Quality ID 3), a DO value is not provided and the sentinel value is shown. This prevents you from receiving an erroneous reading.

Sensor Health Table

The following error messages appear in the software and the data file when a sensor issue has been detected.

Abbreviation	Data Quality ID	Text	Description
None	0	None	Normal Data Quality
UC	1	User Cal Expired	Parameter measured without errors using an expired user calibration.
FC	2	Factory Cal Expired	Parameter measured without errors using an expired factory calibration.
ERR	3	Unknown Error	Parameter measured with error, sentinel value supplied.
WU	4	Sensor Warm-up	Sensor is warming up, sentinel value supplied.
DIS	5	Sensor Warning	Parameter measured but does not meet normal quality criteria. The sensor has sustained moderate damage, or the recommended lifespan has been reached.

Abbreviation	Data Quality ID	Text	Description
CAL	6	Sensor Calibrating	Sensor is calibrating, calibration value supplied.
OL	7	Sensor Missing	Sensor communication failed, sentinel value supplied. Make sure the sensor cap is installed and properly seated.

Appendix A - Communication Device

The Communication Device is an accessory product that can be used to calibrate and set up RDO probes.

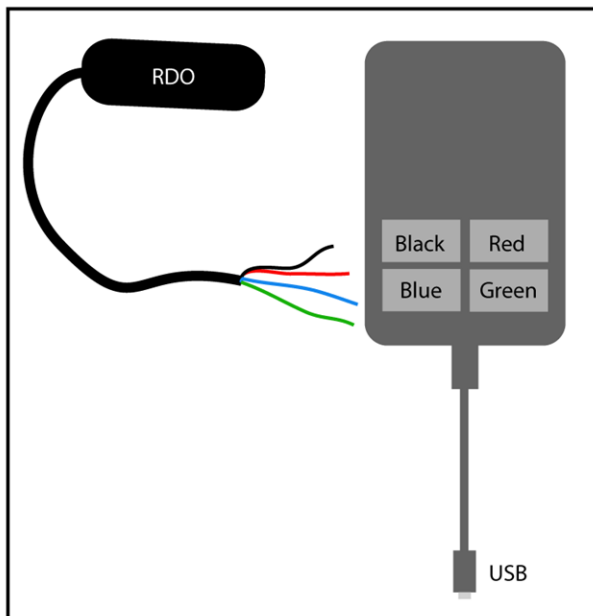
Install and Open the Software

The Comm Kit Software must be installed on a computer before you connect to the probe.

Connect the Probe to the Communication Device

The Communication Device connects a stripped-and-tinned probe to a computer via USB connection.

1. Disconnect the instrument from the PLC.
2. The communication device includes an electrical connection diagram label. To attach the instrument to the communication device, depress a lever and insert the appropriate wire in the location specified by the diagram.
3. Attach the USB connector to a USB port on the computer. Follow the directions provided in the Communication Device Kit to set up the probe.



Declaration of Similarity

Equipment

Type of equipment: Measurement instrumentation
Product name: RDO Titan Titanium Optical Dissolved Oxygen Probe
Model: RDO Titan Titanium Dissolved Oxygen Probe, OEM edition

Manufacturer: In-Situ, Inc.
221 East Lincoln Avenue
Fort Collins, CO 80524
USA

Category

Standards

- **Immunity**
EN 61000-6-2, Electromagnetic Compatibility (EMC) – part 6-2: Generic standards – Immunity for industrial environments
- **Emissions**
Class A requirements of CISPR 11: 2004, Specification for limits and methods of measurement of radio disturbance characteristics of industrial, scientific and medical (ISM) radio-frequency equipment

Supplementary Information:

The device complies with the requirements of the EU Directive 73/23/EEC, and the CE mark is affixed accordingly.

Summary

We confirm that the equipment referenced above, without reasonable doubt, will fulfill the requirements concerning electromagnetic compatibility according to the above mentioned standards harmonized with the 2004/108/EC for Electromagnetic Compatibility (EMC) Directive—part 6-2. The RDO PRO Optical Dissolved Oxygen Sensor was tested and found to be in compliance in the month of October 2008.

Date of Issue: October 7, 2013

Signature:



Name: Ben Kimbell
Title: Vice President of Research and Development

Test Report reference: 3161946DEN-003

